

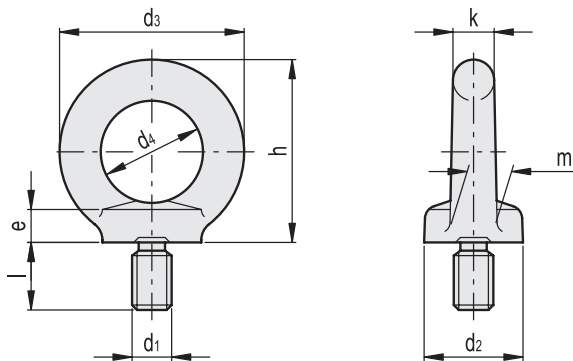
STANDARD EXECUTION

- **DIN 580-A4:** AISI 316 stainless steel

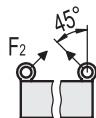
FEATURES AND APPLICATIONS

The use of DIN 580-A4 lifting eyebolts must comply with the following conditions:

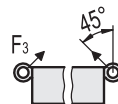
- the length of the thread of the assembly hole must be equal to the length of the thread of the pin of the eyebolt;
 - the pin of the eyebolt must be fully screwed up to the stop on the mounting surface;
 - the material of the mounting surface must have the same mechanical features of the eyebolt;
 - do not exceed the maximum load values indicated in the table.
- Further technical information available in "Operating instructions".



Axial load-bearing capacity per eye bolt



Load-bearing capacity at max. 45° per eye bolt



Lateral load-bearing capacity at max. 45° per eye bolt



Do not use under shear tension

Standard machine parts

INOX STAINLESS STEEL

Code	Description	d1	d2	d3	d4	h	m	l	k	e	F1 max. [N]	F2 max. [N]	F3 max. [N]	⚖️
GN.21391	DIN 580-M6-A4	M 6	20	36	20	36	10	13	8	6	750	550	380	60
GN.21406	DIN 580-M8-A4	M 8	20	36	20	36	10	13	8	6	1400	1000	700	82
GN.21411	DIN 580-M10-A4	M 10	25	45	25	45	12	17	10	8	2300	1700	1150	125
GN.21421	DIN 580-M12-A4	M 12	30	54	30	53	14	20.5	12	10	3400	2400	1700	188
GN.21431	DIN 580-M16-A4	M 16	35	63	35	62	16	27	14	12	7000	5000	3500	309
GN.21441	DIN 580-M20-A4	M 20	40	72	40	71	19	30	16	14	12000	8600	6000	455
GN.21451	DIN 580-M24-A4	M 24	50	90	50	90	24	36	20	18	18000	12900	9000	918